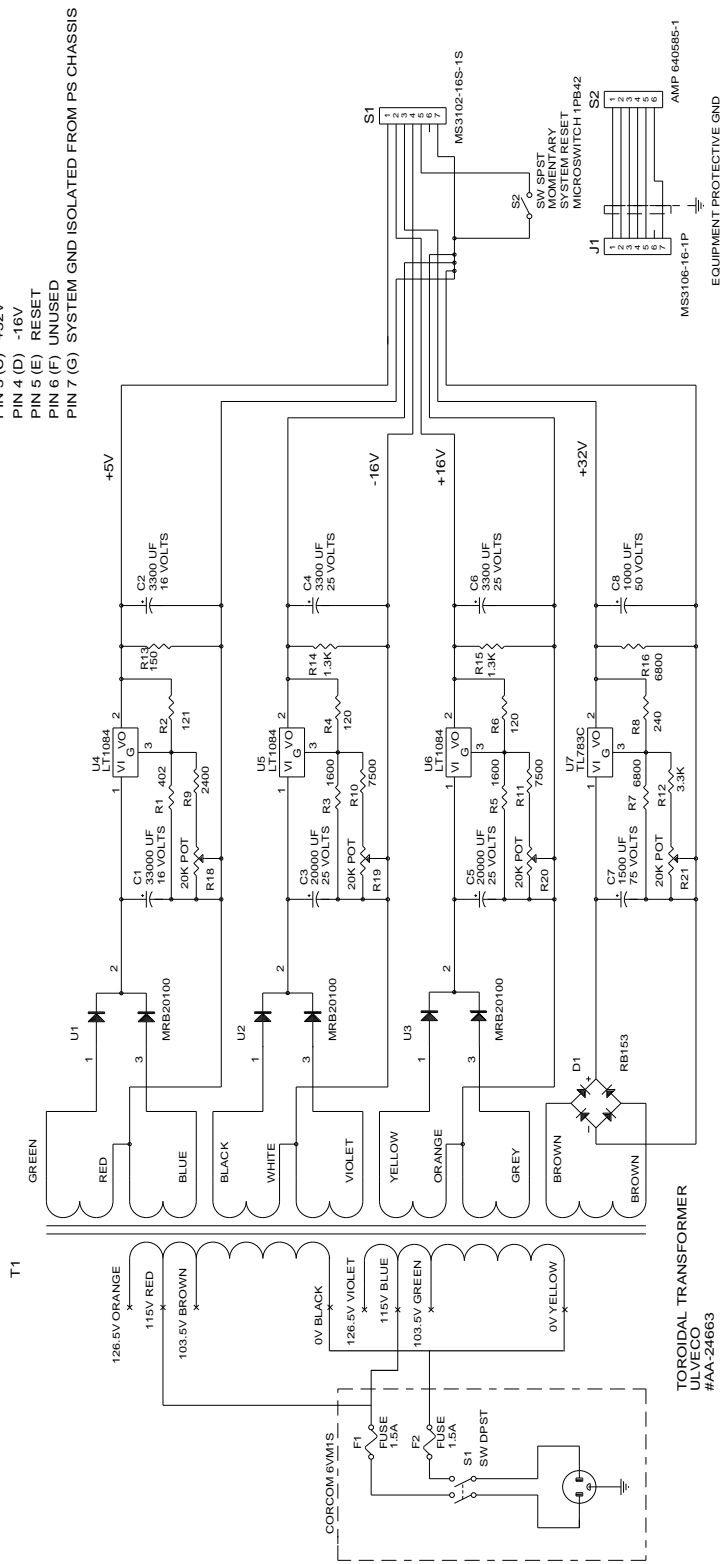


MS3102-16S-1S  
 CONNECTOR PIN ASSIGNMENTS  
 PIN 1 (A) +5V  
 PIN 2 (B) +16V  
 PIN 3 (C) +32V  
 PIN 4 (D) -16V  
 PIN 5 (E) RESET  
 PIN 6 (F) UNUSED  
 PIN 7 (G) SYSTEM GND ISOLATED FROM PS CHASSIS



NOTE:  
 1. ALL AXIAL RESISTOR 1/4W 5% CARBON OR METAL FILM  
 2. SOLDER Z WIRE IN ALL TERMINAL HOLES  
 3. SOLDER ALL CRIPPED RING TERMINALS  
 4. ALL POTS SEALED CERMET TYPE